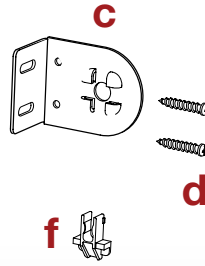
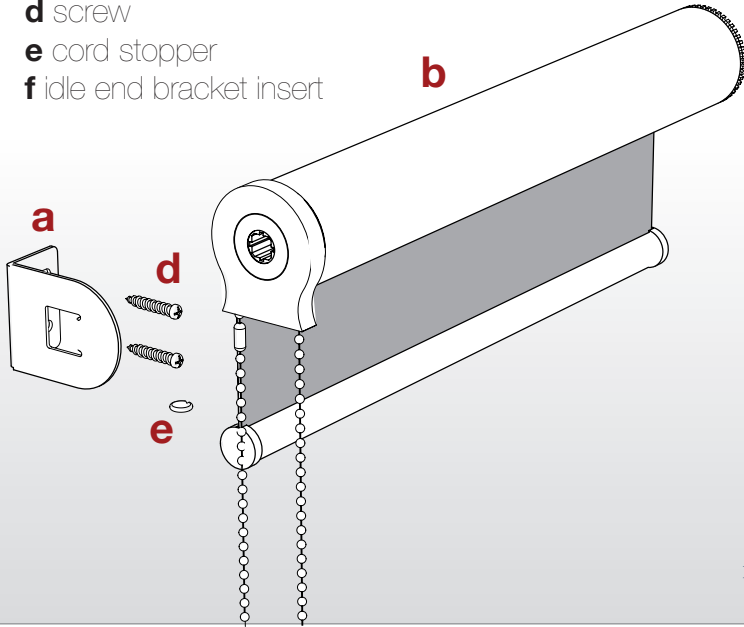
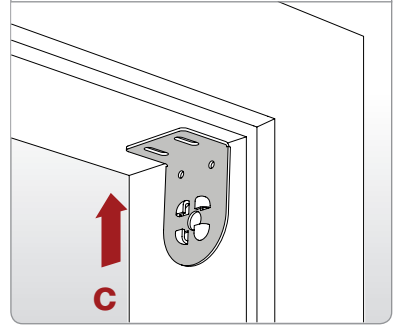


roller blinds installation instructions

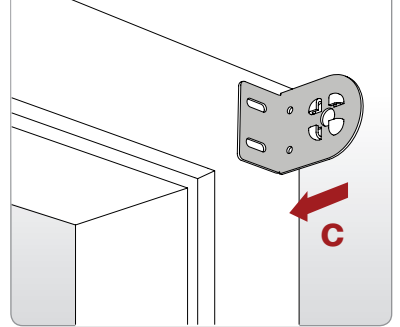
- a cordside bracket
- b roller blind
- c idle end bracket
- d screw
- e cord stopper
- f idle end bracket insert



inside fit top fixed



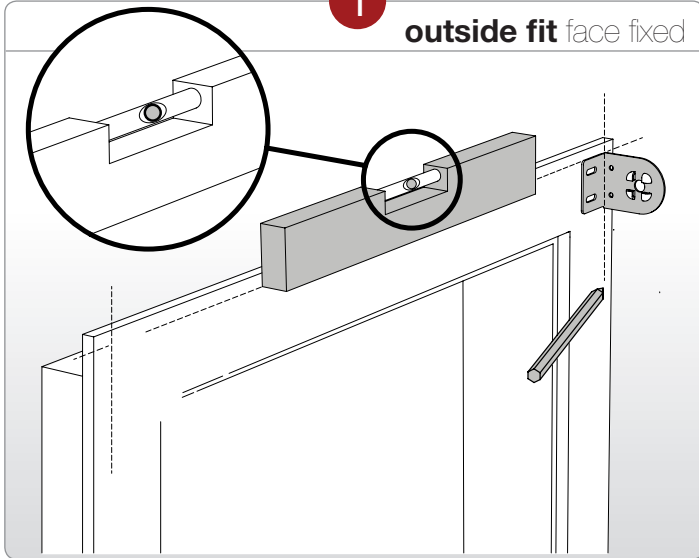
outside fit face fixed



makeablind.com

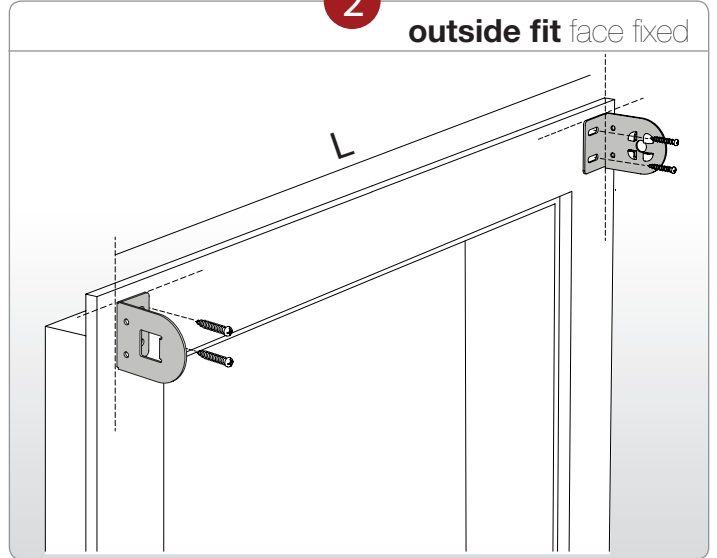
1

outside fit face fixed

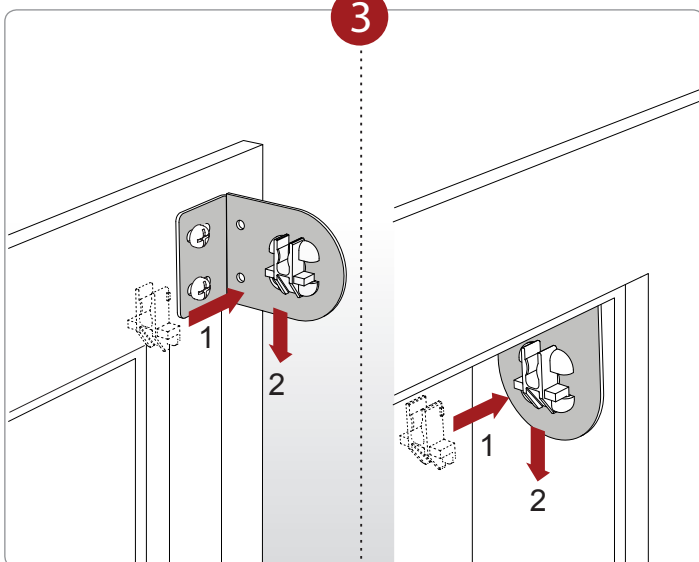


2

outside fit face fixed



3



4

