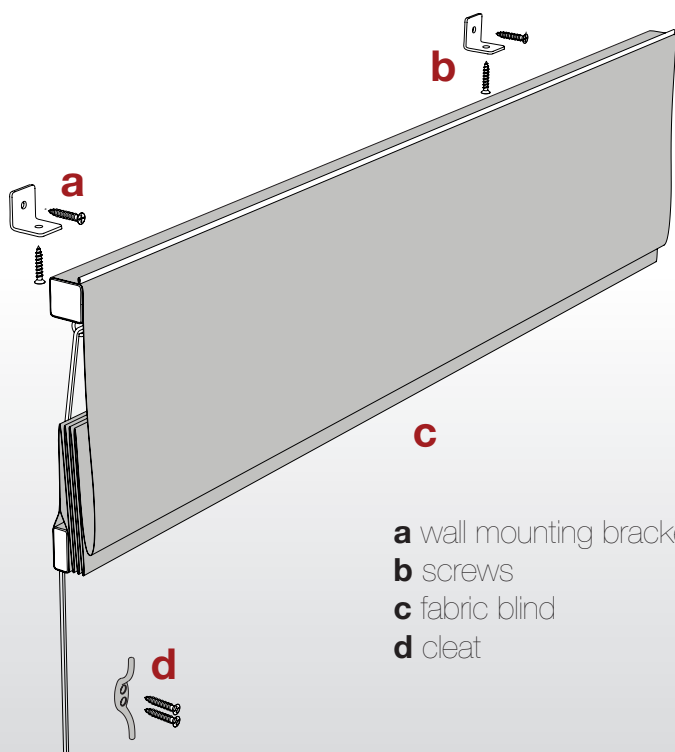
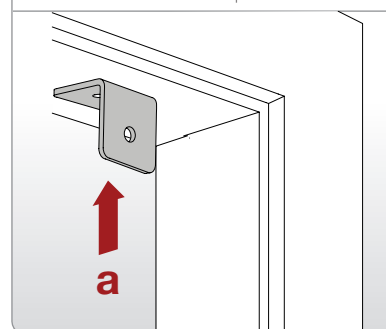


roman blinds installation instructions

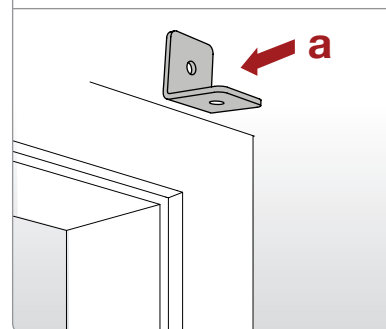


- a wall mounting bracket
- b screws
- c fabric blind
- d cleat

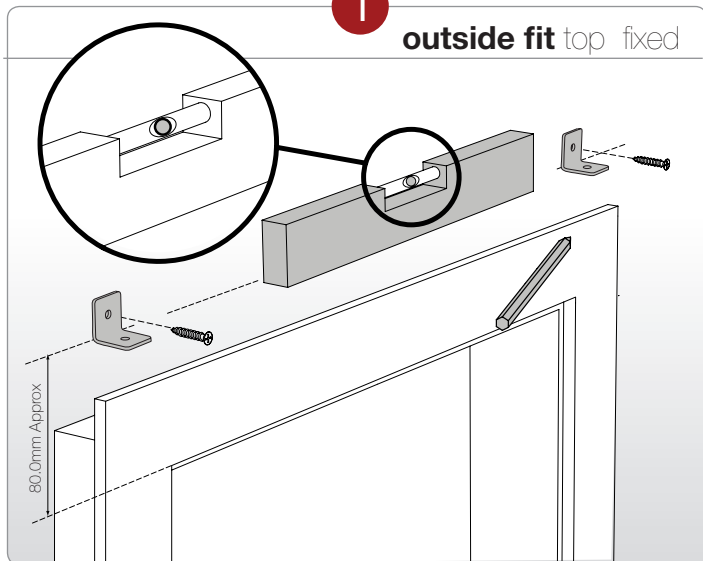
inside fit top fixed



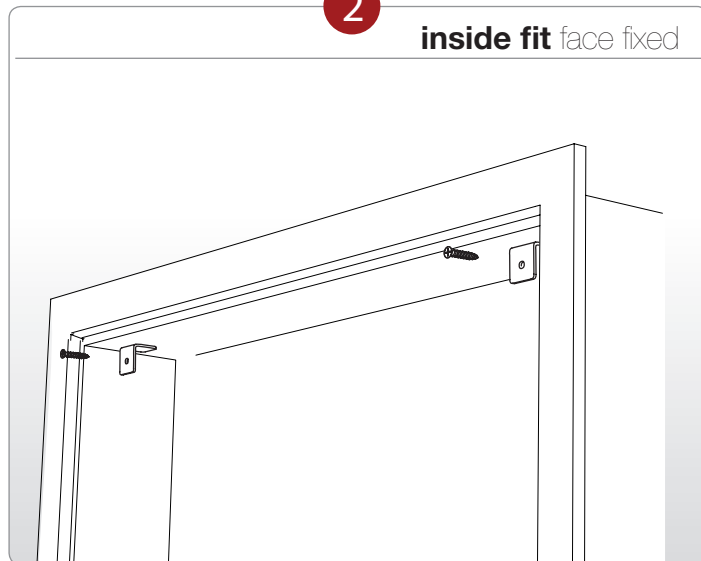
outside fit face fixed



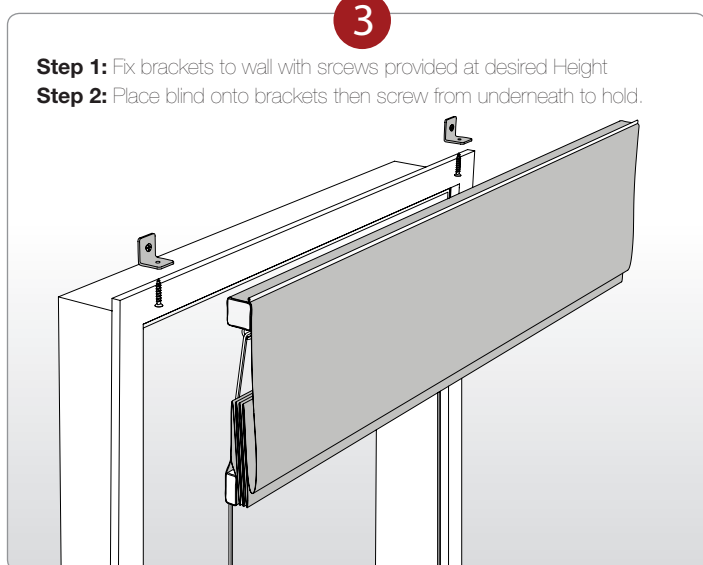
1 outside fit top fixed



2 inside fit face fixed



Step 1: Fix brackets to wall with screws provided at desired Height
Step 2: Place blind onto brackets then screw from underneath to hold.



Step 3: Fix Cleat to window frame at suitable height with Screws provided.

